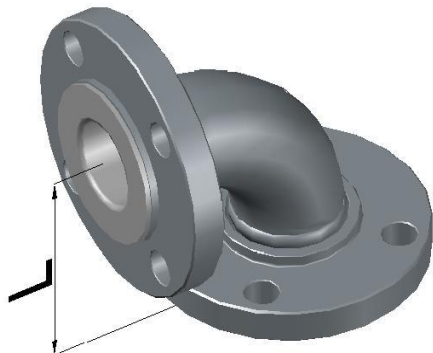
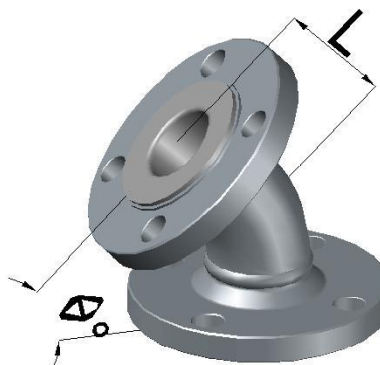


LINED ELBOWS AND CROSSES

90° ELBOW



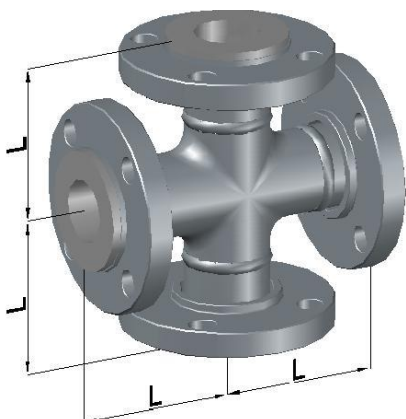
60°/45°/30° ELBOW



Picture for illustration only, type of steel fabrication varies

NB #150	L (mm)				Weight (kg)			
	90°	45°	60°	30°	90°	45°	60°	30°
½"	65	44	52	40	1.0	0.9	0.9	0.9
¾"	75	44	72	59	1.4	1.3	1.3	1.3
1"	89	44	98	77	2.2	2.1	2.1	2.1
1½"	102	57	92	78	3.8	3.4	3.5	3.2
2"	114	64	110	86	5.9	5.3	5.5	5.1
3"	140	76	110	75	11.5	10.0	10.5	9.5
4"	165	102	135	90	16.7	14.2	15.1	13.4
6"	203	127	180	110	26.6	21.2	22.9	19.4
8"	229	140	235	140	44.3	34.7	37.9	31.6
10"	279	165			62.4	48.4		
12"	305	190			86.3	70.7		

CROSS



NB #150	L mm	Wt kg
½"	65	2.1a
¾"	75	2.9
1"	89	4.6
1½"	102	7.8
2"	114	12.1
3"	140	23.6
4"	165	34.2
6"	203	53.9
8"	229	88.2
10"	279	124
12"	305	169

Picture for illustration only, type of steel fabrication varies